

CareLink2, Robotic Arm for Healthcare

- Mountable Arm for
*Mobile Phones, Tablet PCs,
Card/Cup/Mic. Holders*
- 6-Axis Motion
3 Position + 3 Orientation
- Installed Everywhere
Wheelchair, Bed, Desk etc.



- Safe Robotic Arm
by Low Watt Motors
- Compact Size
W600 x D700 x H1140
- No External Controller
- App Controlled
- Easy Motion Teaching



CareLink2, Robotic Arm for Healthcare

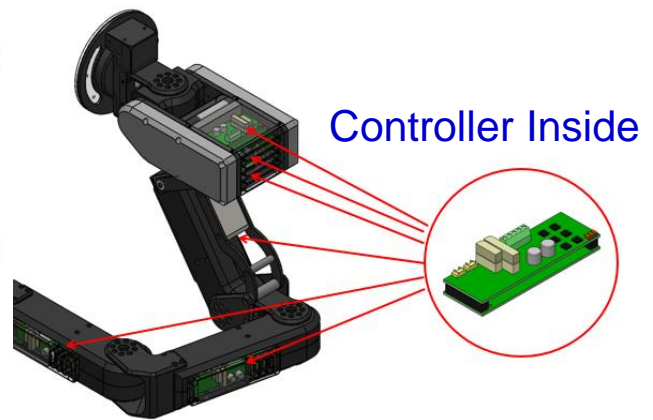
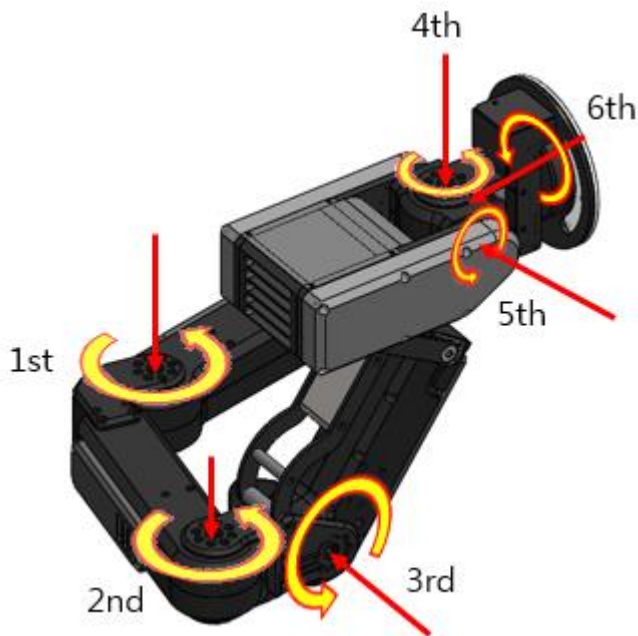
CareLink2, a robotic arm for people with upper-limb disabilities, is used by mounting it on a wheelchair, bed, desk, etc. It conveniently completes tasks such as holding objects (e.g., books and dining plates) and moving the objects either forward/backward, left/right, or up/down. Additionally, CareLink2 can use Gadget, a special holder that is used to hold business cards, credit cards, a cup, or a microphone. For supporting the upper-body disabilities, the movement of CareLink2 can be controlled by a stick mouse, voice recognition, and an eye tracker.



Mountable Arm for
*Mobile Phones, Tablet PCs,
Credit Card/Cup/Mic Holders*

6-Axis Motion

3 Position + 3 Orientation



- App Controlled Arm
- Voice Activated Homing
- Interfaces for the Disabled

